



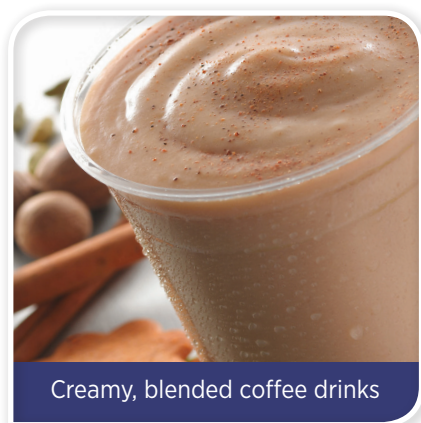
T&G® 2 BLENDING STATION®

Powerful, Noise-Reduced Blending

The T&G 2 offers reduced sound and blending time. It quickly and easily creates smoothies, frappés, ice cream drinks and frozen cocktails.

Smart Product Design

- ≈2 peak output HP motor and sound-reducing cover for superior performance in coffee, smoothie, and ice cream shops
- 34 optimized programs engineered to provide consistent results quickly and easily
- Advance® container creates faster, smoother pouring and has a longer blade life resulting in time and cost savings along with improved customer experience



Creamy, blended coffee drinks

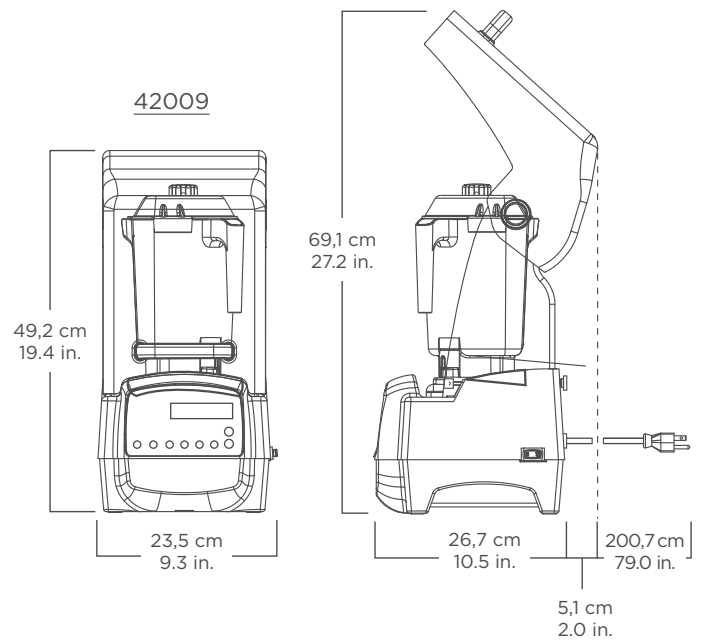
Product Specifications

T&G® 2 Blending Station®

Item Number:	On-Counter: 42009 In-Counter: 44004
Motor:	≈2 peak output horsepower motor
Electrical:	220 – 240 V, 50/60 Hz, 1075 – 1200 W
Pack:	Includes T&G 2 with 0,9 L high-impact, clear/stackable Advance® container, complete with Advance blade assembly and lid, and removable compact cover.*
Net Weight:	8,4 kg (9,5 kg with box)
Dimensions:	
On-Counter:	49,2 x 23,5 x 26,7 cm (H x W x D) Height with lid open: 69,1 cm
In-Counter:	38,1 x 22,9 x 26,7 cm (H x W x D) Height with lid open: 57,2 cm Depth below counter: 14,4 cm

Warranty: Please contact your authorized Vitamix distributor for warranty information.

* Standard 2,0 L container cannot be used with the compact cover.



Also Available

T&G 2 Blending Station On-Counter with Advance container

Item Number:	34201: 120 V (EMC), 50/60 Hz, 11,5 A
	46002: 100 V, 50/60 Hz, 900 W

T&G 2 Blending Station In-Counter with Advance container

Item Number:	48001: 100 V, 50/60 Hz, 900 W
--------------	-------------------------------

T&G 2 Blending Station On-Counter with interlock

Item Number:	42010: 120 V (EMC), 50/60 Hz, 11,5 A
--------------	--------------------------------------

T&G 2 Blending Station In-Counter with interlock

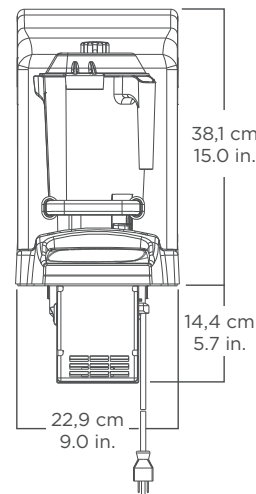
Item Number:	4405: 100 V, 50/60 Hz, 900 W
--------------	------------------------------

Additional containers, complete with blade assembly and lid.

Item Number:	15981: Advance container 0,9 L
	15506: standard container 1,4 L
	15640: compact container 0,9 L

For more information, please contact an authorized Vitamix distributor, or Vitamix international customer service.

44004



Where applicable:



Contact Information

U.S.A., Canada & Latin America:

Phone: 800.4DRINK4 or
800.437.4654

Email: foodservice@vitamix.com

vitamix.com

Vita-Mix Corporation
8615 Usher Road
Cleveland, OH 44138-2103 U.S.A.

Outside of U.S.A., Canada &
Latin America:

Phone: +1.440.782.2450

Email: international@vitamix.com

For more information, contact your
local foodservice distributor.